

## WEIGHT SHEET

Please complete this form and return to sender. This information is required **prior to initiating a crossing agreement**. Please ensure the form is completed accurately. Incomplete information will result in a delay in issuing the crossing agreement.

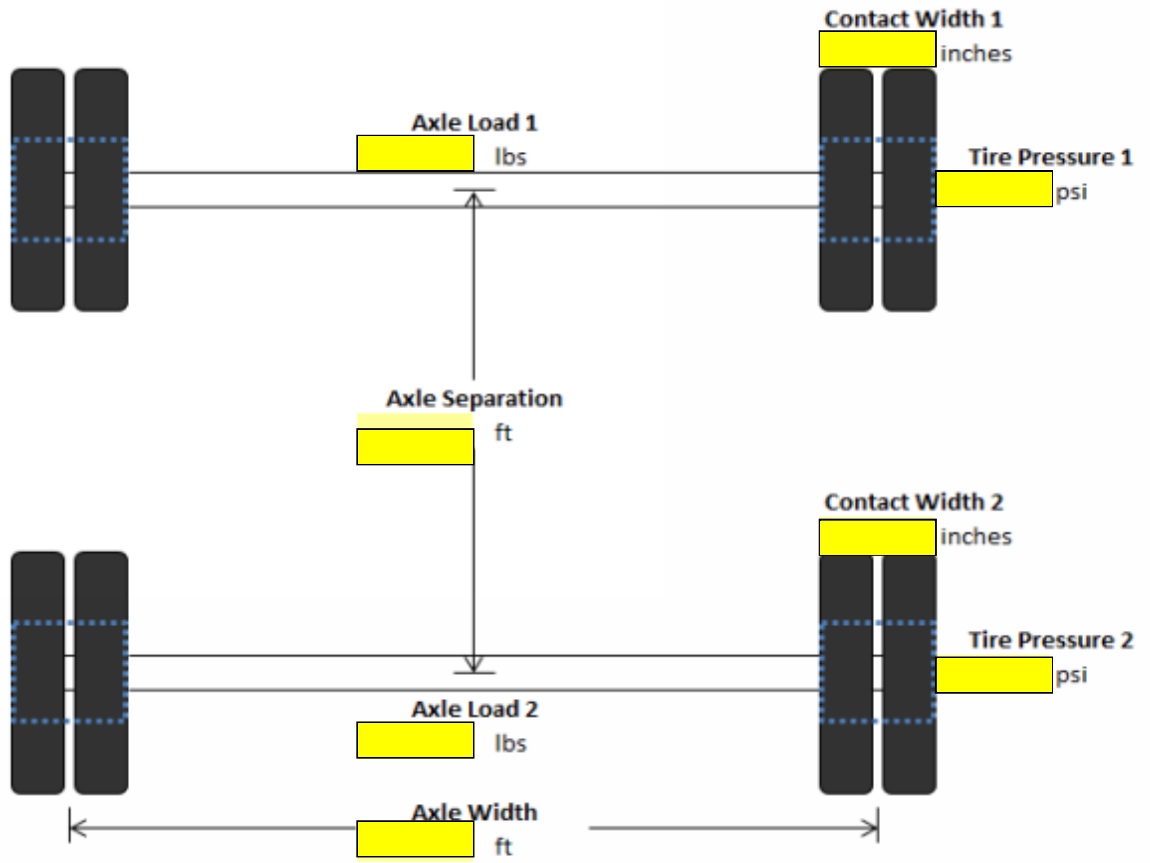
|                                                  |  |
|--------------------------------------------------|--|
| Requesting Company:                              |  |
| Legal Location:                                  |  |
| Requesting Company<br>File #:                    |  |
| Temporary Crossing<br>Date<br>Required/Duration: |  |

**Please complete all yellow boxes on the following diagrams for vehicles you will be crossing with:**

| TIRED VEHICLES                        |
|---------------------------------------|
| <b>Vehicle Name, Make &amp; Model</b> |
|                                       |
|                                       |
|                                       |
|                                       |
|                                       |
|                                       |
|                                       |
| TRACKED VEHICLES                      |
| <b>Vehicle Name, Make &amp; Model</b> |
|                                       |
|                                       |
|                                       |
|                                       |
|                                       |

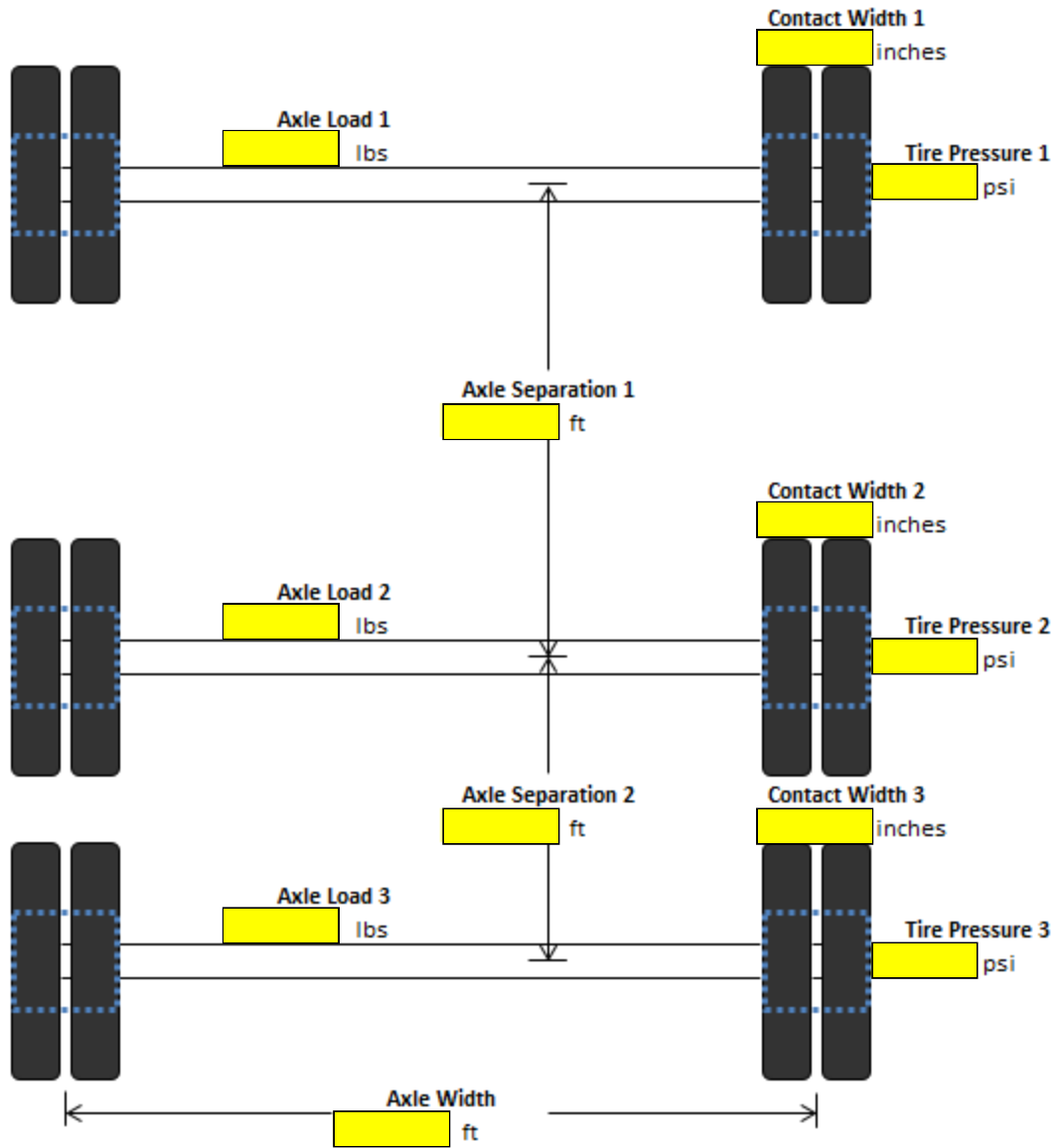
### Input for Surface Vehicle Live Load

|                             |                          |
|-----------------------------|--------------------------|
| <b>VEHICLE INFORMATION:</b> |                          |
| <b>VEHICLE TYPE:</b>        | Wheel: 2-Axles, 4-Wheels |

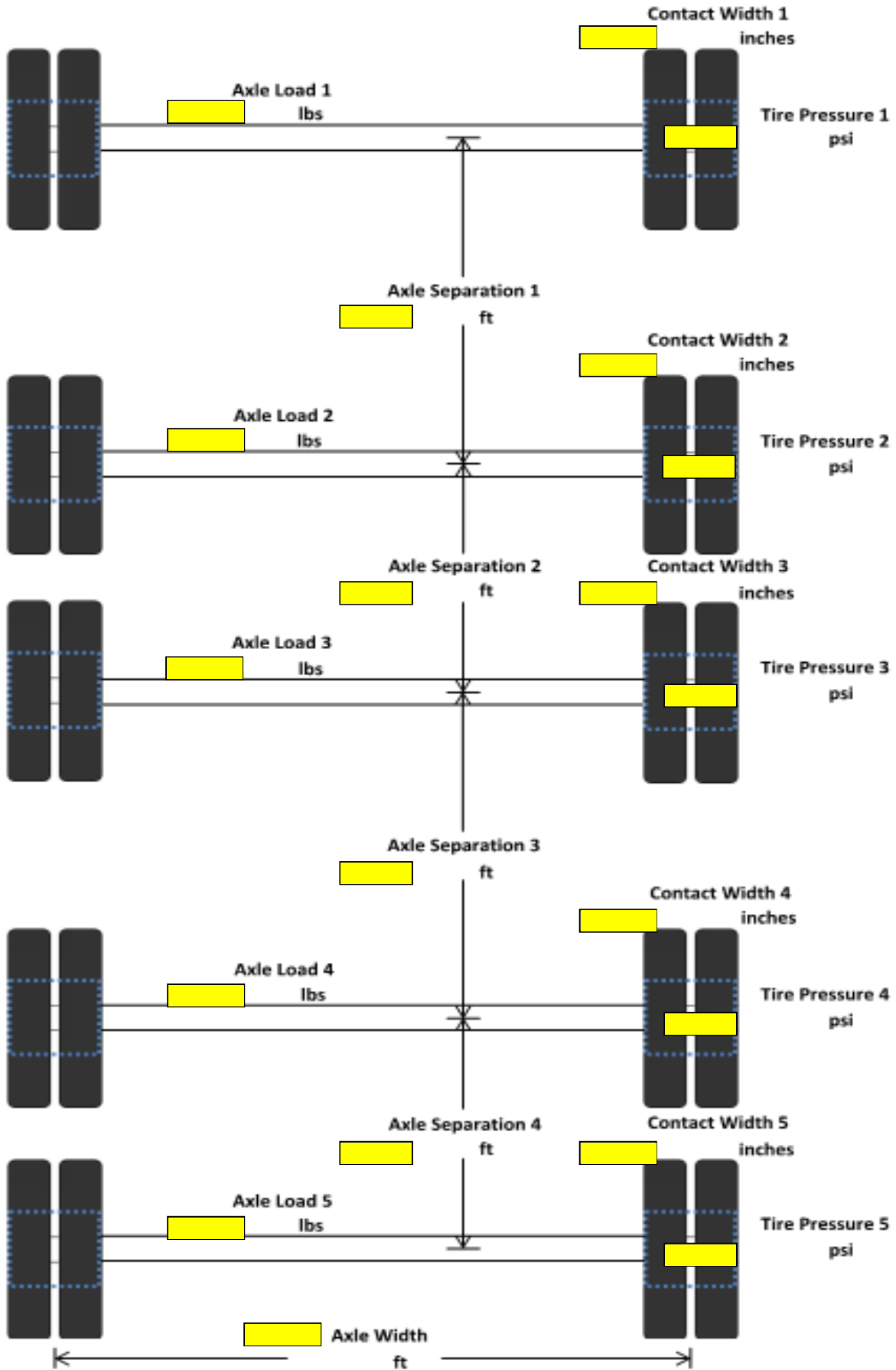


# Input for Surface Vehicle Live Load

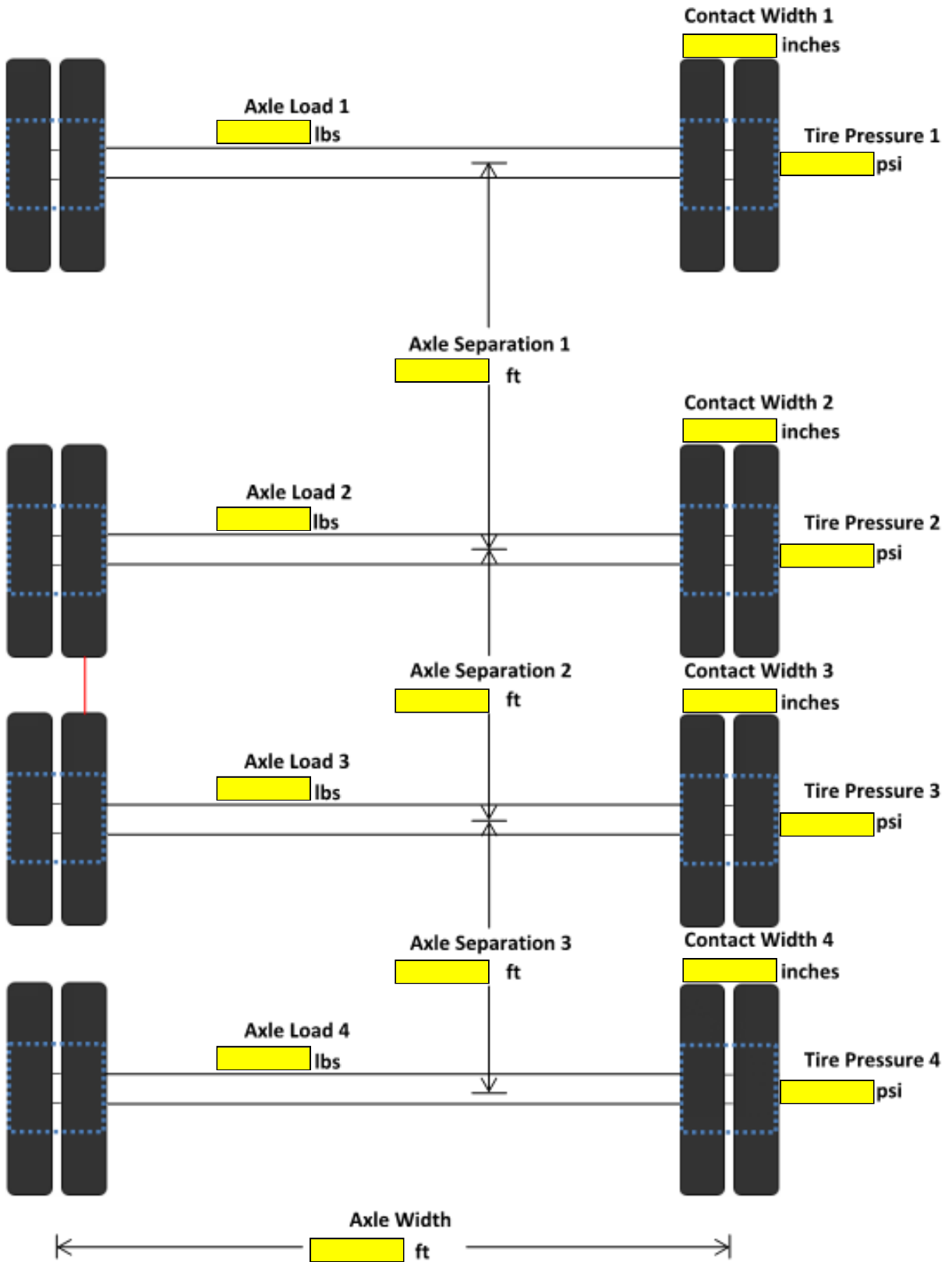
|                      |                          |
|----------------------|--------------------------|
| VEHICLE INFORMATION: |                          |
| VEHICLE TYPE:        | Wheel: 3-Axles, 6-Wheels |



|                      |                           |
|----------------------|---------------------------|
| VEHICLE INFORMATION: |                           |
| VEHICLE TYPE:        | Wheel: 5-Axles, 20 Wheels |



|                             |                           |
|-----------------------------|---------------------------|
| <b>VEHICLE INFORMATION:</b> |                           |
| <b>VEHICLE TYPE:</b>        | Wheel: 4-Axles, 16 Wheels |



## Input for Surface Vehicle Live Load

|                             |       |
|-----------------------------|-------|
| <b>VEHICLE INFORMATION:</b> |       |
| <b>VEHICLE TYPE:</b>        | Track |

